

TECHNICAL DATA

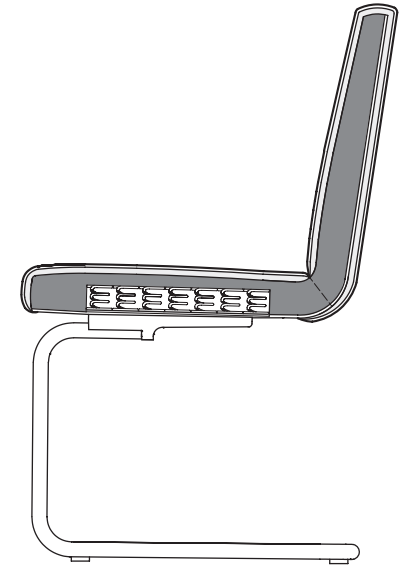
# ROLF BENZ 620

---

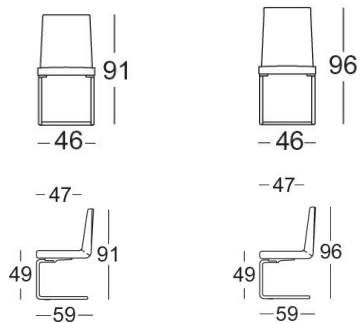


**ROLF  
BENZ**

- Cover
- Fibreglass-strengthened plastic seat and back piece. Back with moulded polyurethane foam. Seat with embedded micro-coiled springs and moulded polyurethane foam on top. All foam pieces covered with polyester fleece
- Connector joining seat piece and leg frame made from sandblasted, cast aluminium
- Leg versions, options:  
Leg metal, options:
  - RAL 9017 traffic black
  - Steel matt chrome
  - Steel high-gloss chrome
- Cantilever chair rectangular tubular metal, options (against surcharge):
  - RAL 9017 traffic black
  - Steel matt chrome
  - Steel high-gloss chrome

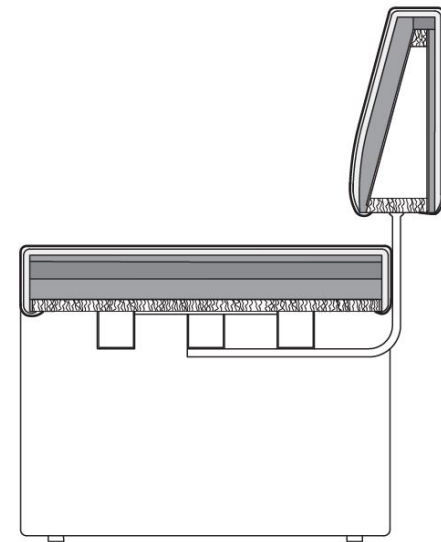


! High-quality, casual upholstery that forms waves/leaves indentations that are typical of the material. All measurements are approximate.



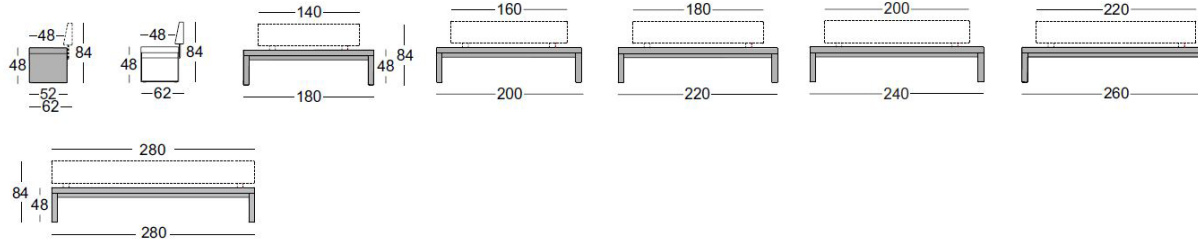
**ROLF  
BENZ**

- Cover
- Seat with visible metal frame made from steel tubing, painted with a textured surface
- Seat made from polyurethane foam, constructed in layers of different thicknesses and firmnesses, matched to one another, and covered with polyester fleece
- Back with wooden frame inside
- Back surface made from polyurethane foam, covered in polyester fleece
- Visible connectors joining seat and back a choice of:
  - RAL 9017 traffic black
  - Steel high-gloss chrome
  - Smooth steel painted matt silver
- Leg types – a choice of:
  - covered end-piece or foot metal -a choice of
  - RAL 9017 traffic black
  - steel high-gloss chrome
  - smooth steel painted matt silver

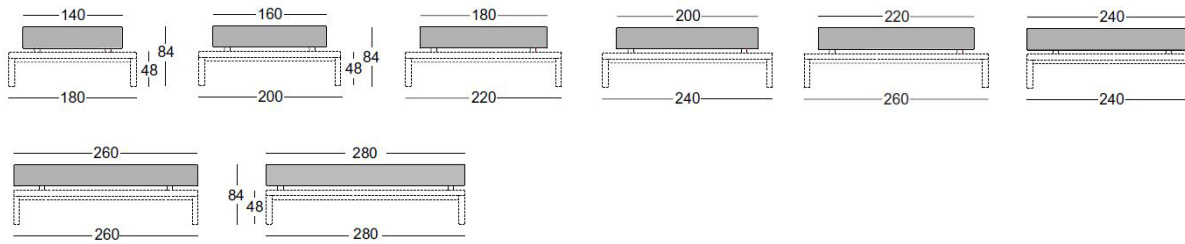


! High-quality, casual upholstery that forms waves/leaves indentations that are typical of the material. All measurements are approximate.

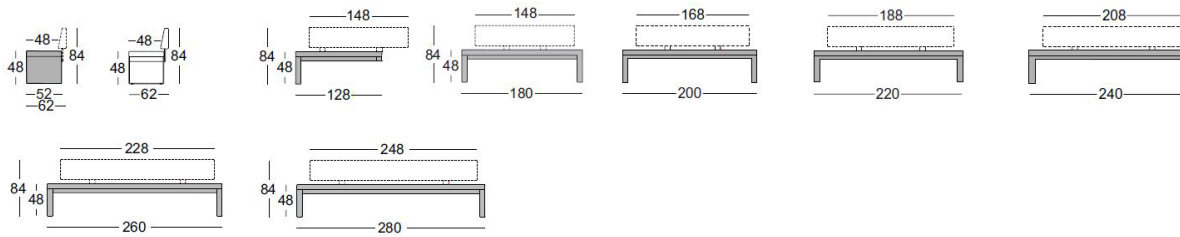
Bank, optional mit oder ohne Rücken



Rückengrößen für die Bank



Ecklösung, optional mit oder ohne Rücken



Rückengrößen für die Ecklösung

